

TWIN CANTILEVER FLAT SCREEN WALL MOUNT WITH ULTRAGLIDE TILT & SWIVEL

Designed for large screens up to 75", this universal twin-cantilever wall mount combines strength and versatility with effortless usability. B-Tech's **UltraGlide Tilt** technology allows users to reposition displays up to 50kg with a simple touch, securely holding the tilt in place. Featuring swivel points at the wall and interface, the mount enables quick and smooth screen adjustments, whether folded flat against the wall or fully extended. Compatible with 16" stud walls, brick, and concrete surfaces, this mount is engineered for both commercial and home installations.



SPECIFICATIONS

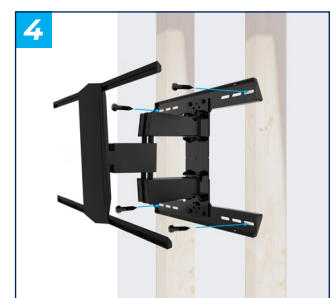
Recommended screen size	up to 75"
Max load	50kg
Universal fixings	up to 600 x 400mm
Tilt	+14° / -3°
Screen levelling	+ / -3°
Swivel	180° at wall & interface
Lateral adjustment	+ / -20mm
Distance from wall	Min: 63mm Max: 582mm
Colour	Black

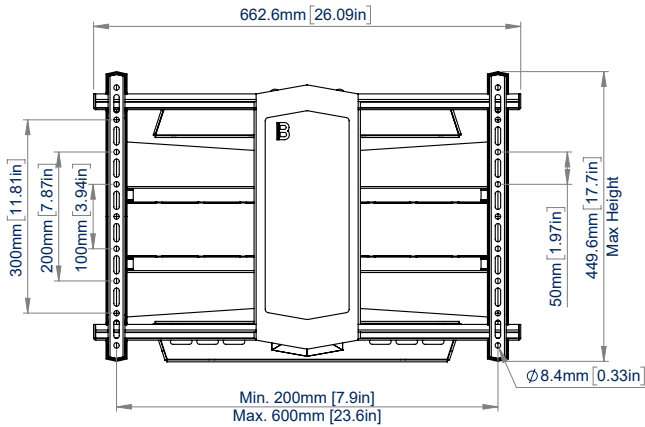
FEATURES

- 1** B-Tech's **UltraGlide Tilt** technology allows easy, secure screen adjustment
- 2** Printed template for wall drilling makes installation quick and easy
- 3** Swivel points enables quick, smooth screen positioning
- 4** Ideal for mounting across 16" stud walls
- Integrated cable management throughout the mount
- Suitable for both landscape and portrait mounting
- Tilt can also be fixed at selected angles of -2°, 0° & 15°
- Slim-line design allows close-to-wall installation when folded flat
- Lateral adjustment of screen after mounting
- Toolless screen levelling
- Safety screws to prevent unauthorised screen removal
- Cover plates included for an attractive finish
- Simple 'hook-on' installation with all mounting hardware included
- **100% plastic free packaging**

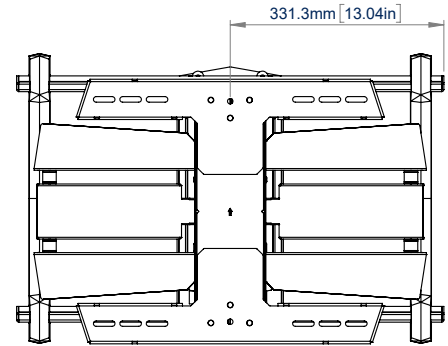


RECOMMENDED MAX SCREEN	MAX LOAD	MAX VESA	TILT	SWIVEL	POST INSTALL ALIGNMENT	COLLAR COMPATIBLE	PLASTIC FREE PACKAGING
75" 190cm	50kg	600 x 400	180°	3° 14°	← →	+	 

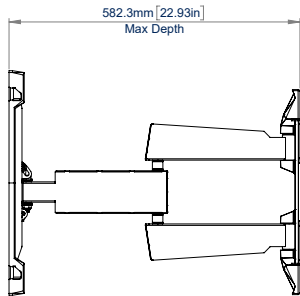




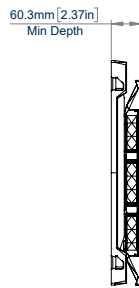
FRONT VIEW



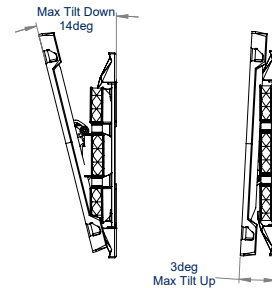
REAR VIEW



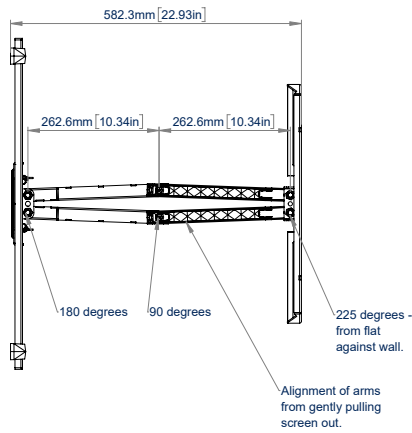
**MAX EXTENSION
SIDE VIEW**



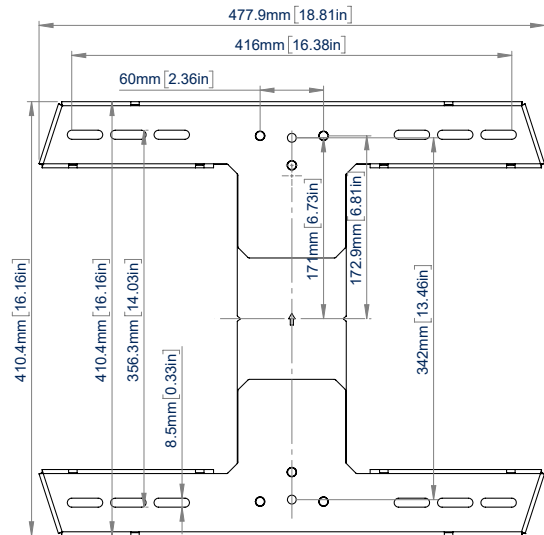
**MIN EXTENSION
SIDE VIEW**



**TILT ADJUSTMENT
SIDE VIEW**



**TOP VIEW
MAX EXTENSION**



WALL PLATE

ORDERING INFORMATION

COLOUR	ORDER REF	EAN
Black	BT8227/B	5019318307072

RELATED PRODUCTS

PRODUCT CODE	NAME	DESCRIPTION
BTV513	Double Arm Wall Mount	Features easy tilt and swivel, ideal for screens up to 55"
BT8226	Vantage Double Arm Wall Mount	Features easy tilt and swivel, ideal for screens up to 65"
BT8228	Vantage Heavy-Duty Twin Cantilever Wall Mount	Features easy tilt and swivel, ideal for screens up to 120"
BT8229	Vantage Double Arm Wall Mount	Features easy tilt and swivel, ideal for screens up to 65"

© 2016 B Tech, AV Mounts Corporation Ltd. All rights reserved.
The information in this specification sheet reflects the current technical specifications at the time of printing.
We reserve the right to change the technical or physical specifications without prior notice. The B Tech name and the B Tech logo are registered trademarks of B Tech, AV Mounts Corporation Ltd.
B Tech is not responsible for any loss or damage caused by improper installation or mounting on unsuitable structures. Any reproduction or use of information or images without the express written permission of B Tech, AV Mounts Corporation Ltd. is prohibited.
Specification sheet is a study, preliminary, or sales promotion material. It is not intended for use as a contract or a replacement for the actual product.

SS-BT8227-191124